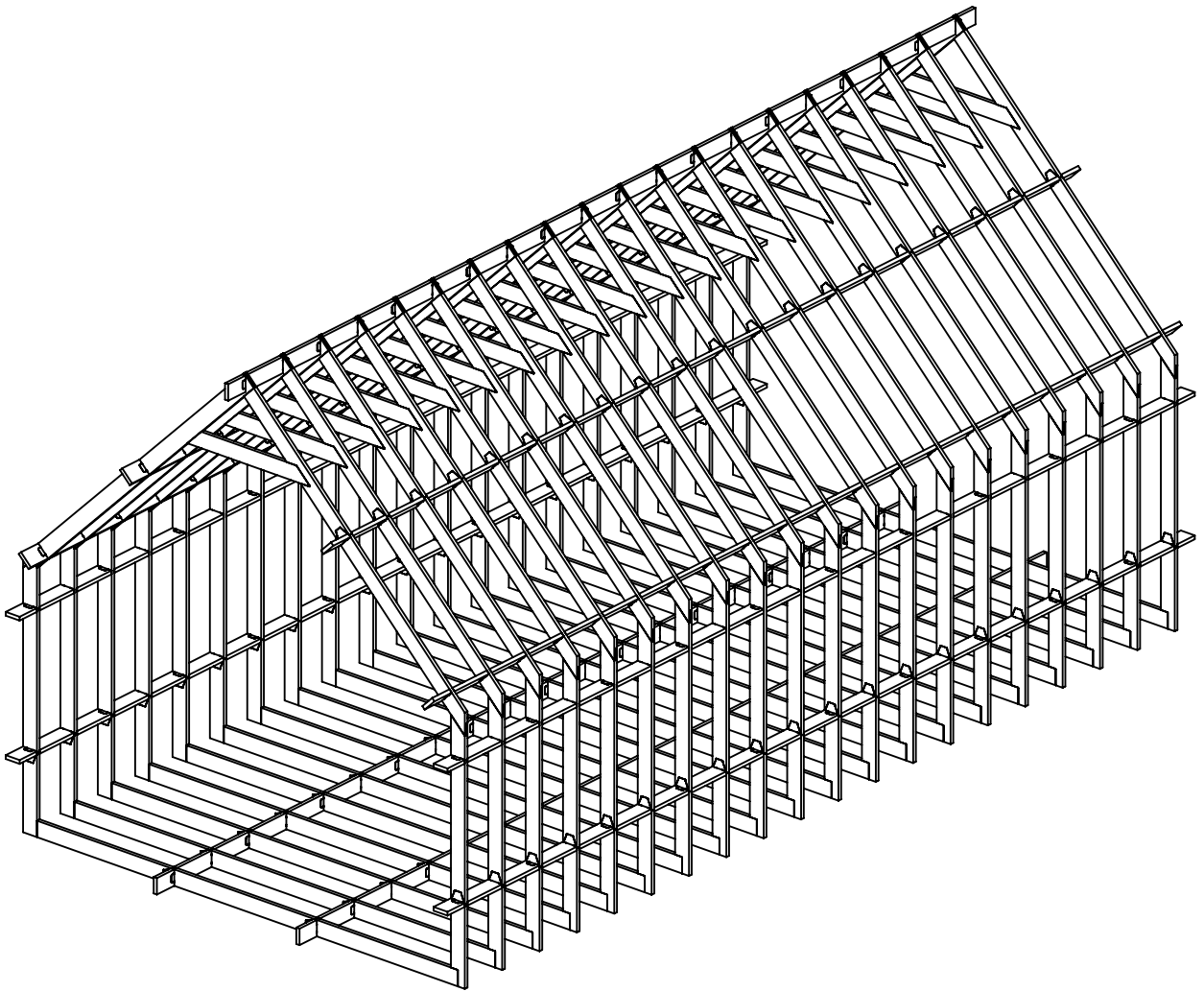


# 195V



# Kombodom



Attention! Please be sure to read this section before assembly!

Before proceeding with the assembly of the frame, prepare sawn OSB elements, screws, a screwdriver and drills for pre-drilling under self-tapping screws. You will need all these items during assembly.

During assembly, be sure to fix the frame, securing the cladding on each assembled horizontal tier. The cladding, sawn exactly in size, is also a template for precise positioning of beams and the braces of the frame for correct convergence in the upper anchorage.

The frame must be fixed to the foundation.



### **IMPORTANT!**

**Never pick assemble the next horizontal tier of the frame, without securing the covering sections of the previous tier! Remember that this can lead to collapse of the frame, serious injuries and even death. Strictly adhere to the assembly instructions!**

For work at a height, use only specialized auxiliary equipment. Be sure to use a construction helmet, insurance and assistants. If you are not sure of your abilities, recruit specialists for installation.

#### **Important notes**

The assembly set is made of solid wood from coniferous trees - a living, natural material. The presence of irregularities, knots, roughness and cracks in the frame elements is acceptable - this does not constitute a material defect and does not affect the strength or durability of the construction.

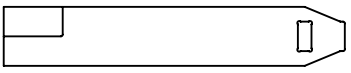
#### **Features of storage and the maintenance**

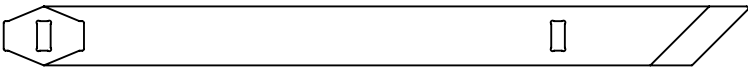
The assembly set should be used for its intended purpose as a skeleton for a dome house, which is lined with boards from the outside and covered with tiles. It is recommended to cover all wooden frame elements with a protective formulation, selected according to the prevailing future operating conditions.

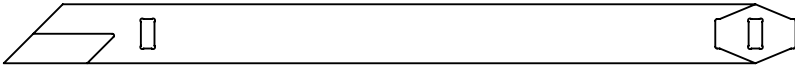
You should keep the construction set in a cool dry place, protected from direct sunlight and precipitation, ensuring free circulation of air around the elements, away from heat sources, high humidity and extraneous odors.

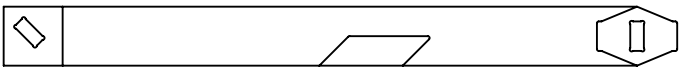
#### **The guarantee**

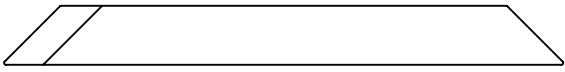
The manufacturer sets a warranty period of one year for the assembly set. At the same time, the change in the physical parameters of the wooden elements arising from improper storage or use is not covered by warranty.

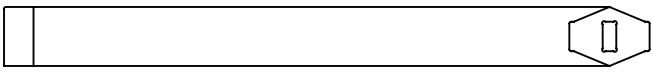
S1  40 pcs

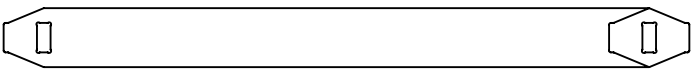
S2  40 pcs

B1  40 pcs

B2  40 pcs

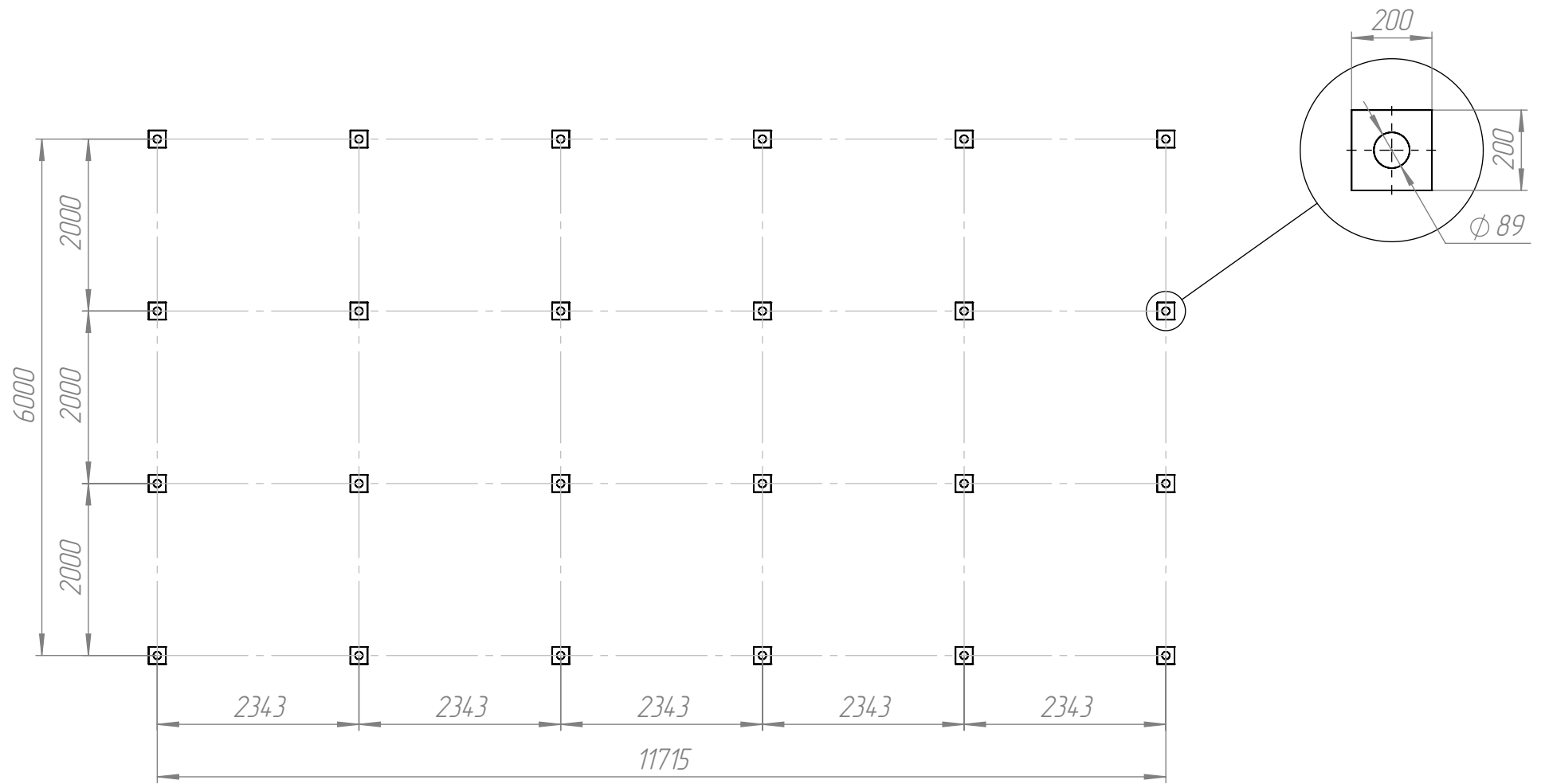
B3  20 pcs

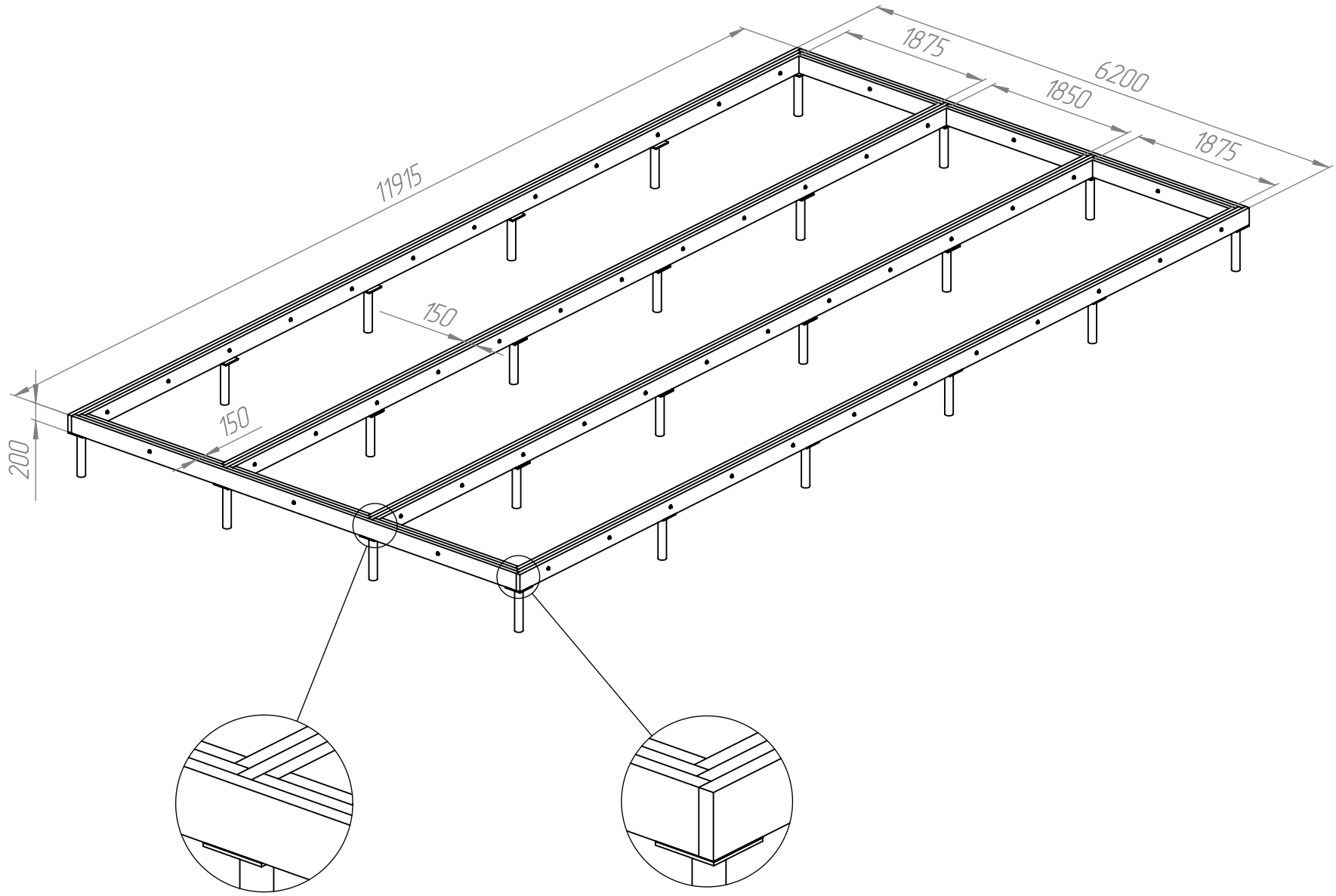
L1  40 pcs

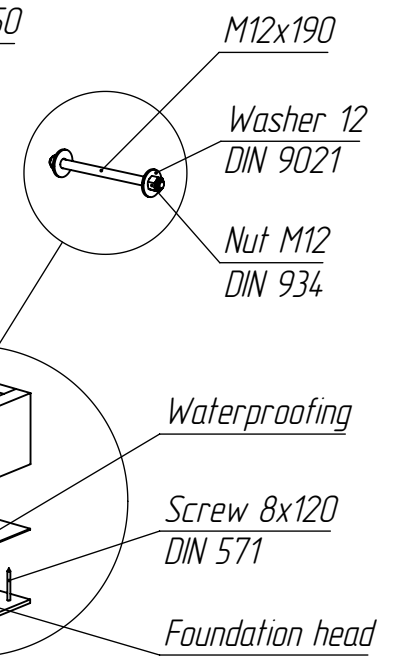
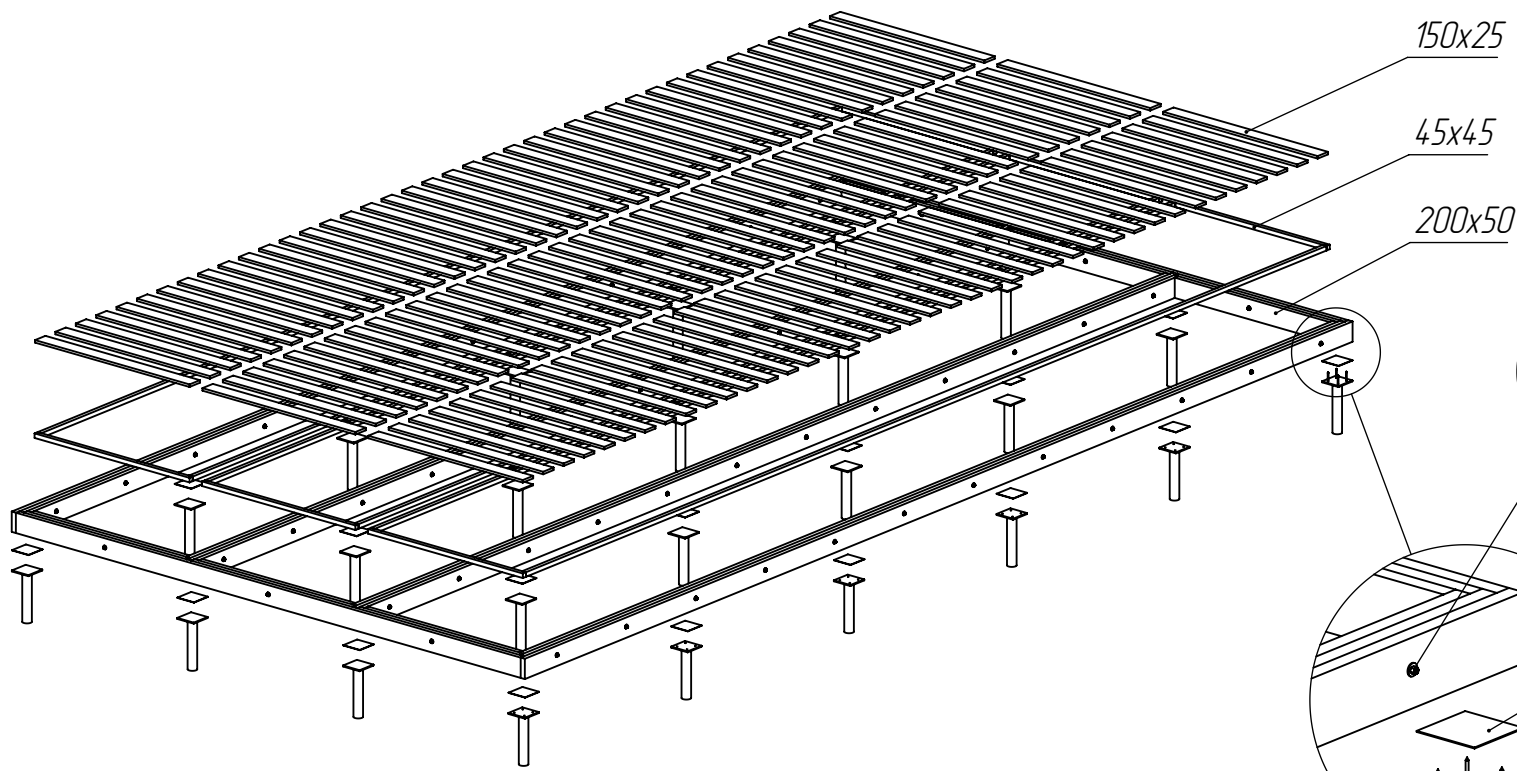
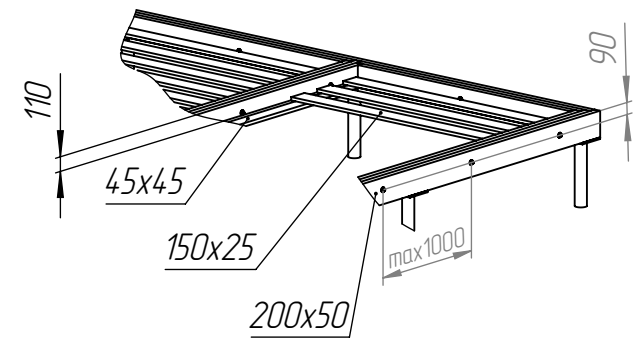
L2  20 pcs

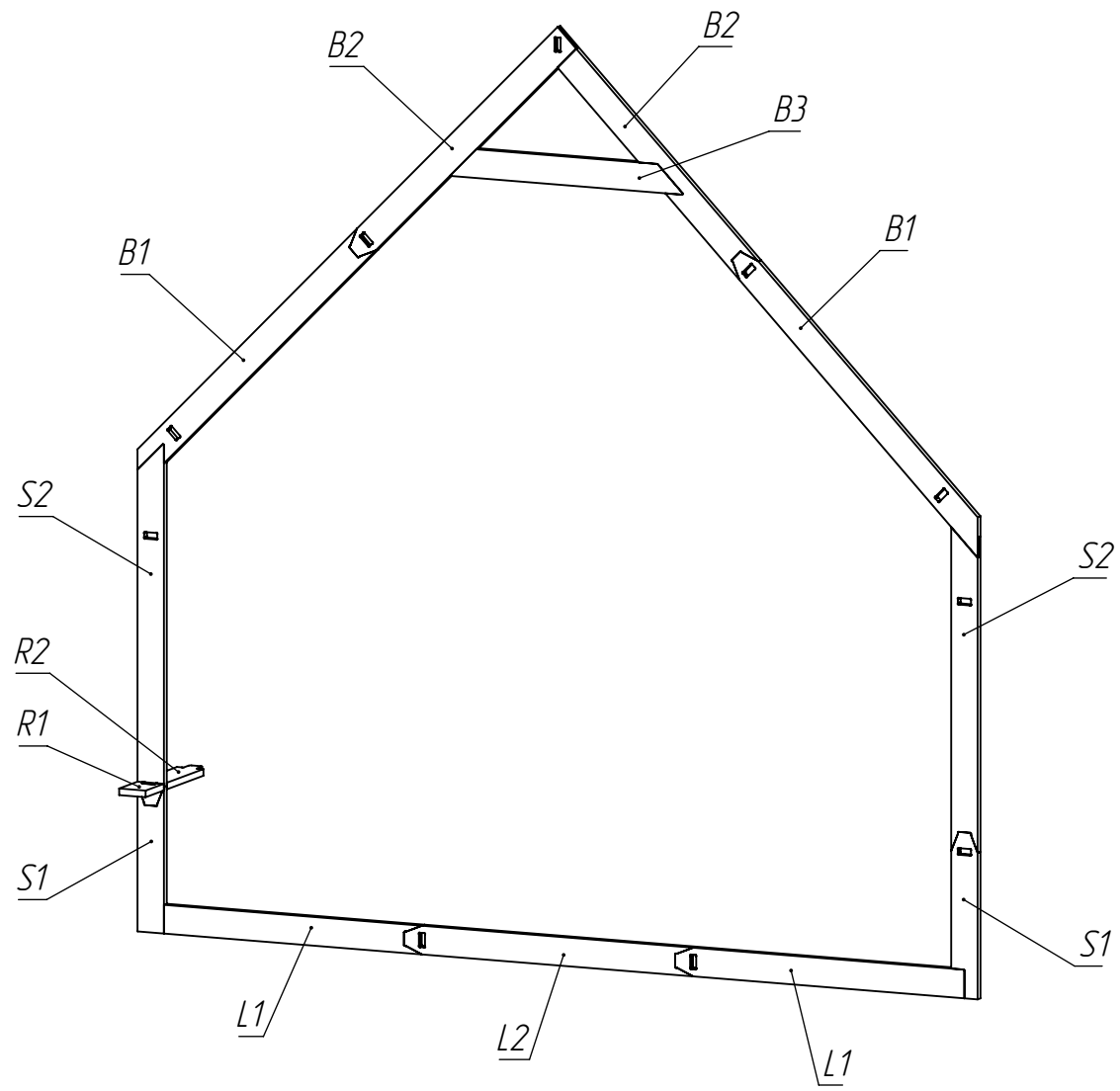
R1  22 pcs

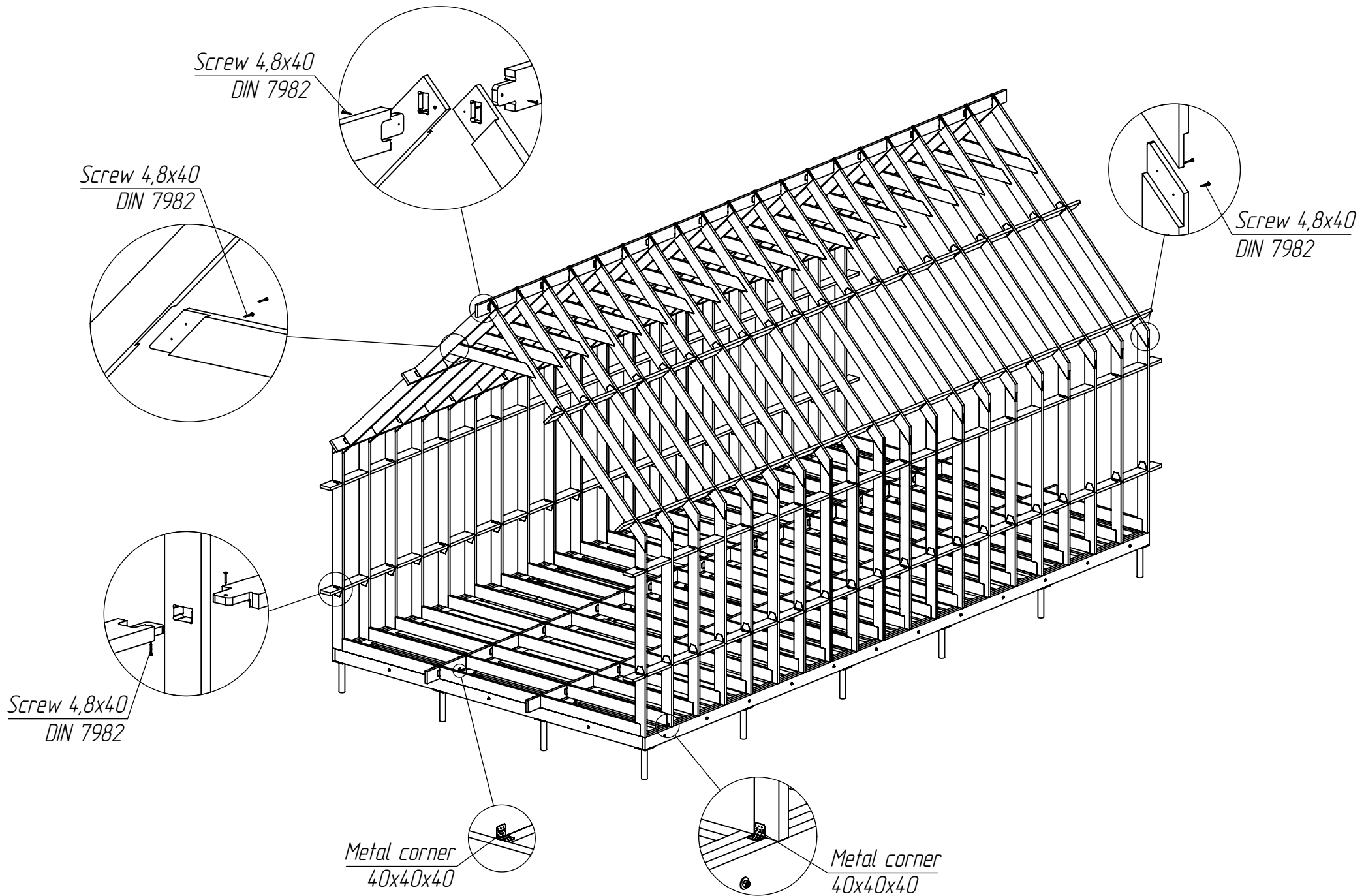
R2  209 pcs

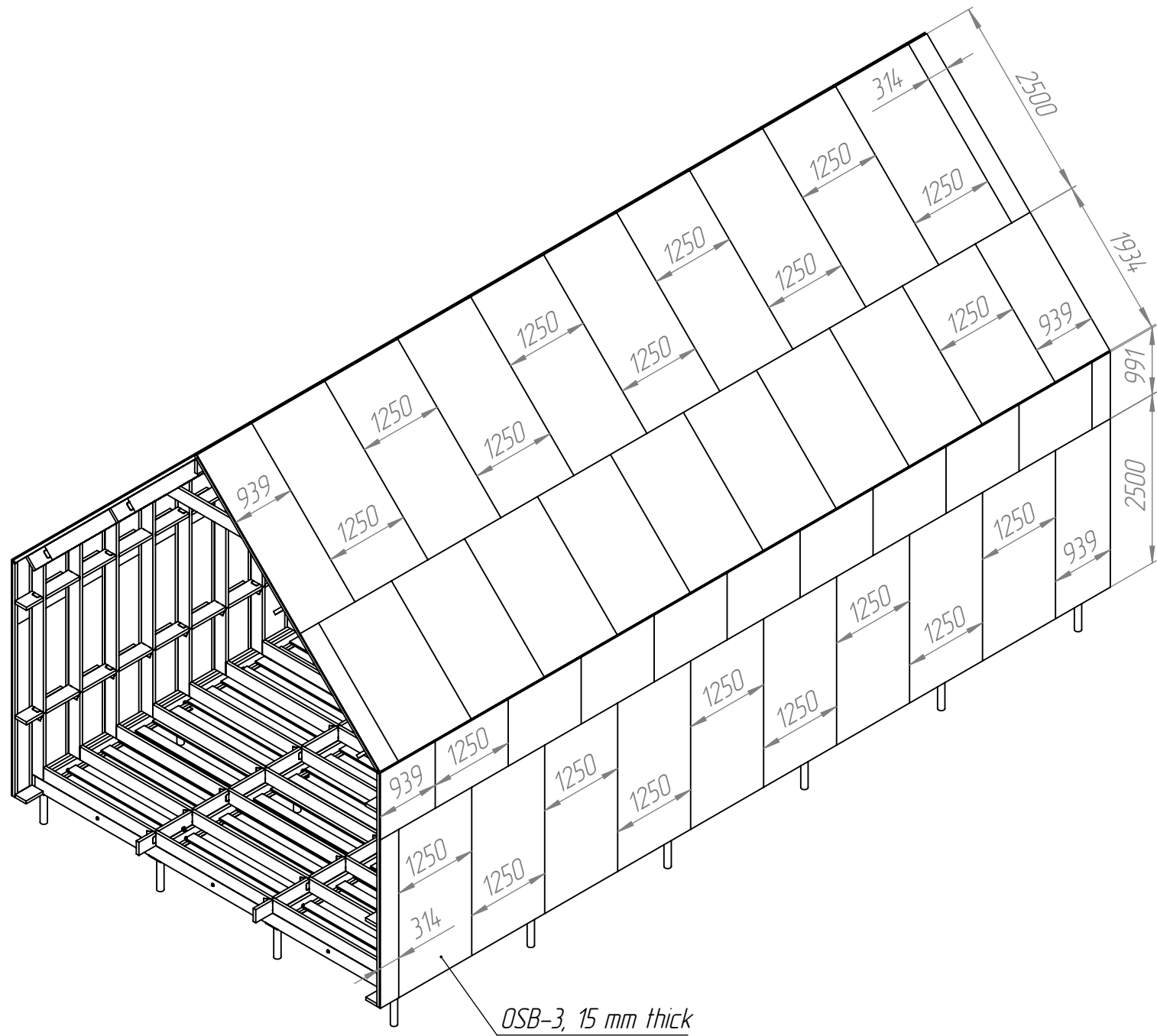




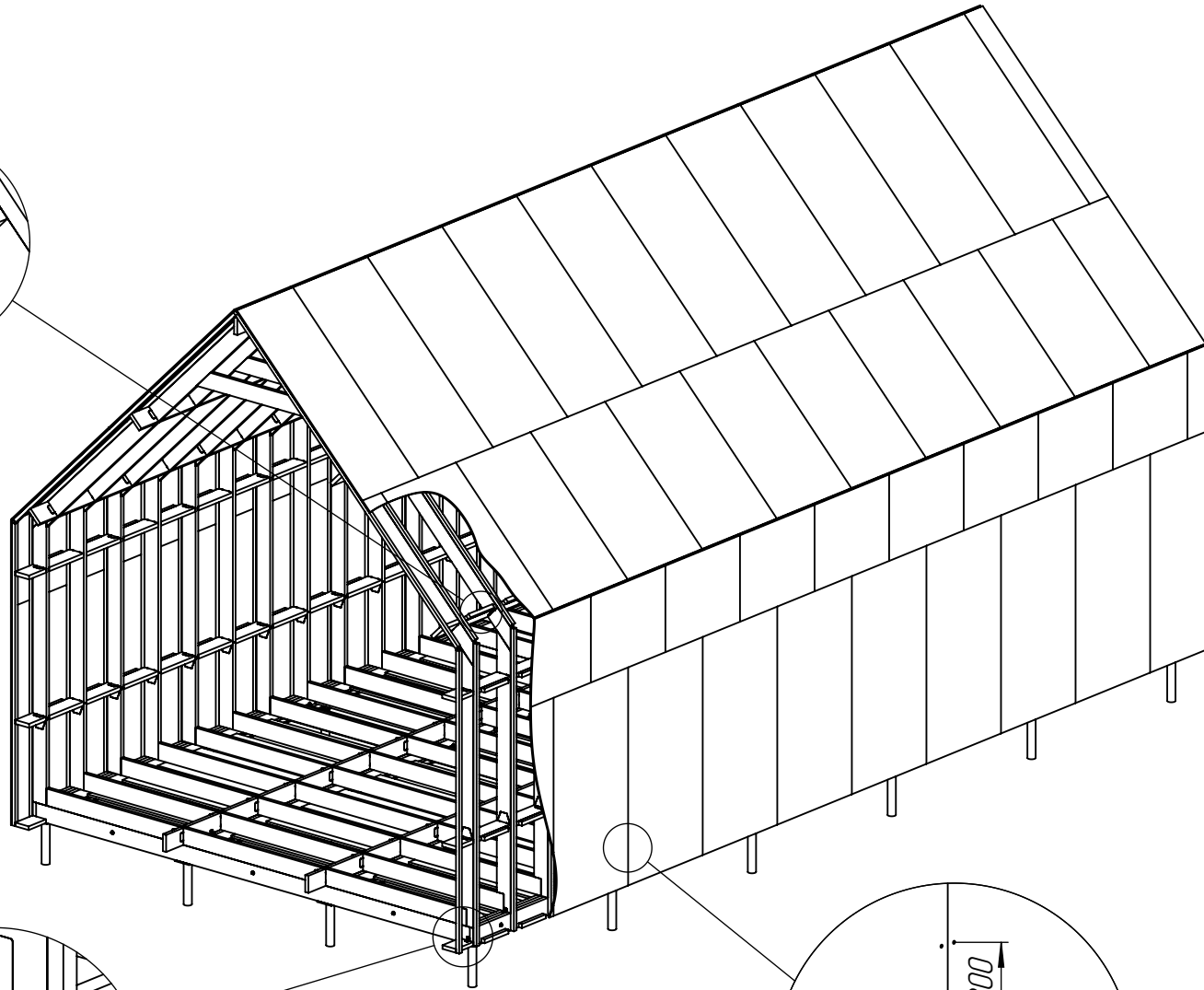
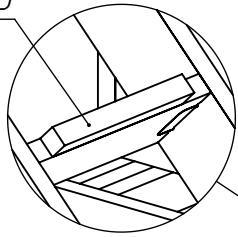




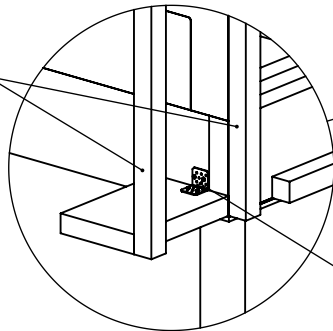




*Timber 45x45*

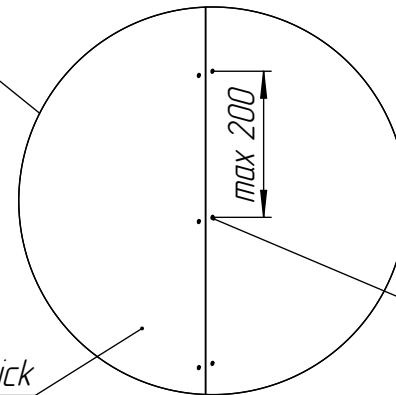


*Timber 45x45*



*Metal corner  
40x40x40*

*OSB-3, 15 mm thick*



*Screw 4,8x70  
DIN 7982*